

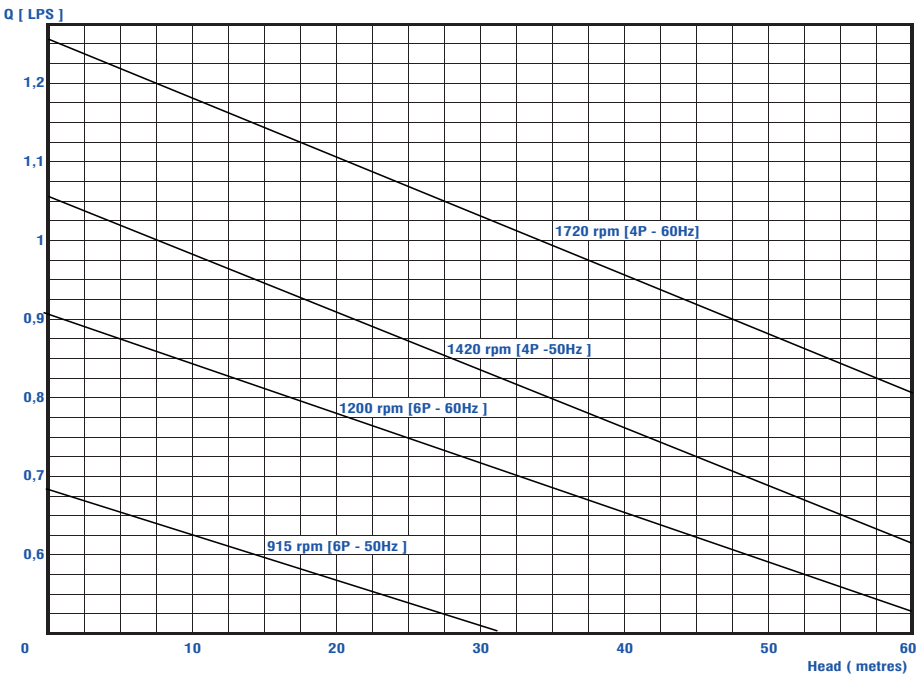


C031 CUTTER Macerating Sludge Pump



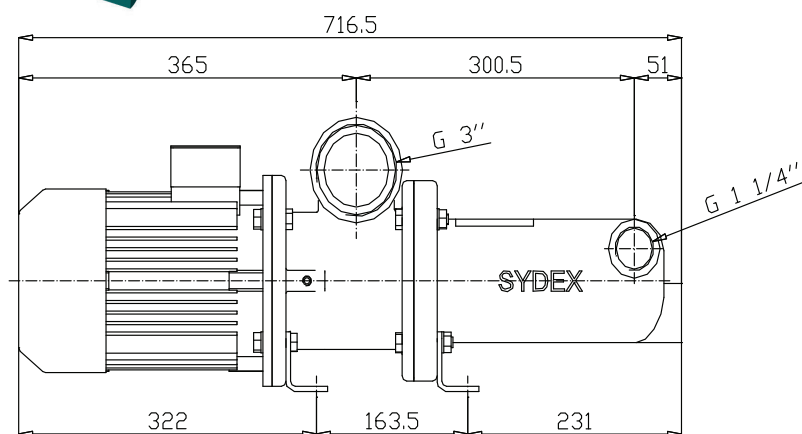
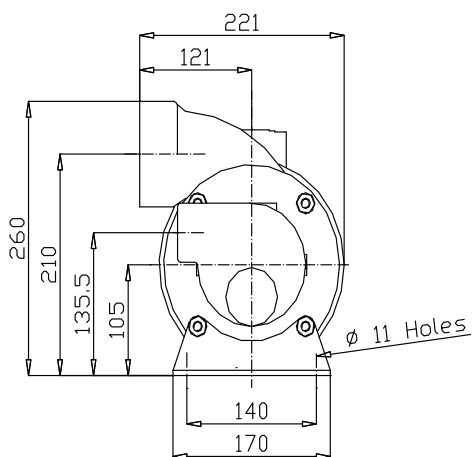
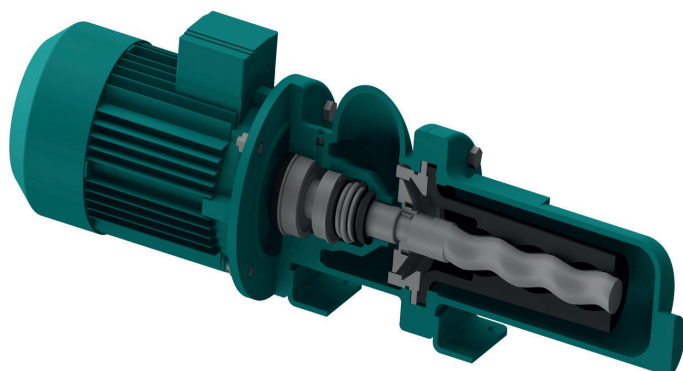
PROGRESSING CAVITY PUMP
AND INTEGRAL MACERATOR UNIT
Italian Designed & Manufactured

Legendary Reliability



Motor Size	Port Size	FLOW RATE AND HEAD					
		10m	20m	30m	40m	50m	60m
1,1 kW	IN 3" BSP Out 1" 1/4 BSP	0,97 lps	0,91 lps	0,84 lps	0,77 lps	0,68 lps	0,62 lps

Tolerance : +/- 10%
Suction Lift : 3,5 metres



C031 Cutter Progressing cavity pump with a Macerator Unit incorporated

Function: With the self priming action the screw pump allows to suction the sewage up to the suction chamber; the Bi-Hammer Macerator smashes into small particles the sewage solids. Finally the pump transfer the sludge to the final destination.

Benefits and Features:

- Integral macerator Unit – Hardened tool steel cutter macerates and shreds the solids in small particles.
- Elevated pressure capacity (6 bar)
- Simple design - Fast and easy maintenance;
- The pump it's easy to handle and clean.
- Low speed running - Long pump life.
- Seal system: Mechanical seal - No liquids leaking.
- Aisi 316 construction (Rotating parts) and Corrosion resistant body.
- Capacity: Up to 3.5 M3/h – 925 Gallons/h
- Pressure: Up to 6 bar

The C031 application area's:

- Single and multiple residential complexes.
- Schools and public institutions
- Ships and Yates
- Hotels, camping areas and caravan parks
- Sporting and country clubs centres
- Industrial buildings
- Farms and rural complex
- Shopping centres



Sydex Srl - Via Lord Baden Powell, 24 - 36045 Lonigo (Vicenza) - ITALY
Tel. +39 0444 43 25 88 - Fax +39 0444 43 25 89
E-mail: info@sydexump.com - Web site: www.sydexump.com

Your local Authorized Distributor:

Werichova 650/9
779 00 Olomouc

www.procav.cz
www.sydex.cz

